

PS-SEAL®: PTFE based high performance seal

PS-SEAL® Standard

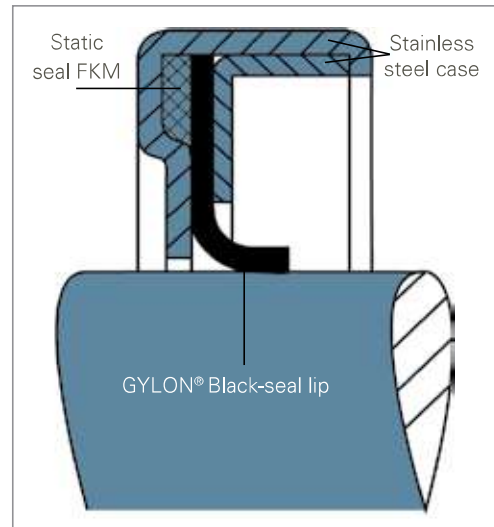
PS-SEAL Standard* is a Garlock shaft seal consisting of a stainless steel (1.4571) case, a GYLON® BLACK seal lip and a static sealing element made of FKM. Products with measurements listed in the table below are in stock and can be delivered immediately.

Mounting Dimensions

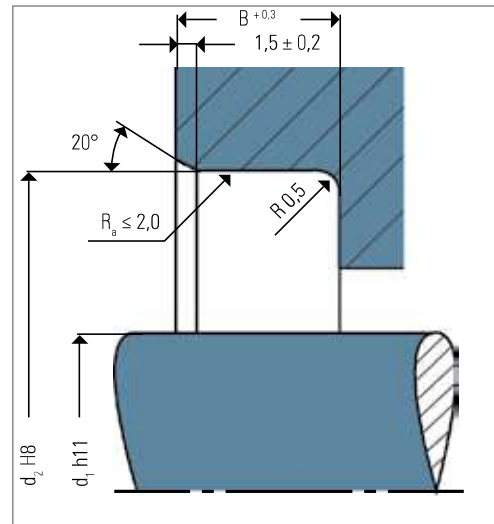
Item code	d1 [mm]	d2 [mm]	B [mm]
MEC03-10005	8,0	18,0	5,0
MEC03-10048	10,0	22,0	6,0
MEC03-10006	12,0	28,0	8,0
MEC03-10007	15,0	30,0	8,0
MEC03-10008	16,0	30,0	8,0
MEC03-10010	17,0	28,0	8,0
MEC03-10009	17,0	35,0	8,0
MEC03-10011	20,0	35,0	8,0
MEC03-10012	22,0	40,0	8,0
MEC03-10014	25,0	35,0	8,0
MEC03-10013	25,0	42,0	8,0
MEC03-10050	25,0	52,0	7,0
MEC03-10015	28,0	47,0	10,0
MEC03-10016	30,0	47,0	10,0
MEC03-10055	30,0	52,0	10,0
MEC03-10017	32,0	47,0	8,0
MEC03-10018	32,0	47,0	10,0
MEC03-10019	35,0	47,0	8,0
MEC03-10020	35,0	50,0	10,0
MEC03-10004	38,1	63,5	12,7
MEC03-10021	40,0	55,0	10,0
MEC03-10022	40,0	60,0	10,0
MEC03-10023	40,0	62,0	10,0
MEC03-10049	40,0	68,0	10,0
MEC03-10025	42,0	62,0	8,0
MEC03-10024	42,0	60,0	10,0

Item code	d1 [mm]	d2 [mm]	B [mm]
MEC03-10026	45,0	62,0	10,0
MEC03-10028	45,0	65,0	10,0
MEC03-10029	48,0	65,0	10,0
MEC03-10030	50,0	65,0	10,0
MEC03-10031	50,0	70,0	10,0
MEC03-10032	50,0	72,0	10,0
MEC03-10033	55,0	72,0	10,0
MEC03-10035	60,0	75,0	8,0
MEC03-10036	60,0	80,0	10,0
MEC03-10037	62,0	80,0	10,0
MEC03-10038	65,0	85,0	10,0
MEC03-10039	70,0	90,0	10,0
MEC03-10040	73,0	100,0	10,0
MEC03-10041	75,0	100,0	10,0
MEC03-10042	75,0	95,0	13,0
MEC03-10043	80,0	100,0	10,0
MEC03-10054	85,0	120,0	12,7
MEC03-10044	90,0	110,0	10,0
MEC03-10056	90,0	120,0	12,0
MEC03-10051	95,0	120,0	12,0
MEC03-10001	100,0	130,0	13,0
MEC03-10002	110,0	140,0	13,0
MEC03-10052	120,0	150,0	12,0
MEC03-10003	140,0	165,0	10,0
MEC03-10053	150,0	180,0	12,0

Standard configuration



Dimensions



All statements in mm

* PS-SEAL Standard
maximum 10 bar, maximum 205°C, no FDA